

Energy columns: ES102-1*

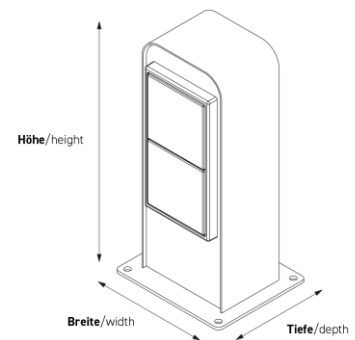
Specification:

Item No:	ES102-1*
Product line:	Energy columns
Units:	2
Mounting (qty):	2 x Schuko
Construction:	Pillar
Ground:	Suitable for stone, concrete and asphalt
Type of inst.:	Surface mounted
Environment:	Outdoor area
EAN:	0706332880913



Technical data:

Protection class:	IP 44 (in unused condition) IP 44 (in used condition)
Material:	Column made of stainless steel (1.4301)
Colour:	white(RAL9010)(* -8) / black(RAL9017)(* -10) / brown(RAL8019)(* -11) / aluminum(RAL9006)(* -12)
Surface:	Powder-coated
Weight:	3,50 kg
Dimensions:	width: 130 mm height: 255 mm depth: 110 mm
Supply line:	2 x bottom; each Ø 25 mm



Features:

Opt. Accessory:	Item No. BAES102 - Ground anchor for ES102
Features:	Complete and pre-assembled