

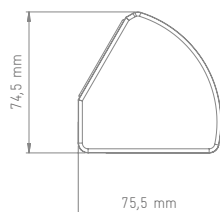
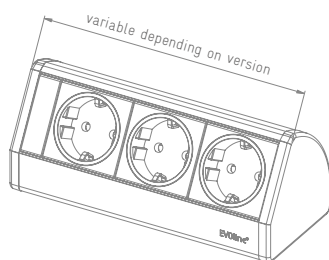
EVoline® Dock



Above desk quality for home, office, hotel.

EV0line® Dock


EV0line Dock sits above desk surface allowing maximum workspace. It's supported either by patented raising plastic mounting clamps or fixed in position by stainless steel clamps. The configurable charging and data station extends your work, private or social zone, including hotel rooms, equipped with international electrical sockets, and various multimedia, data and safety modules and switches.

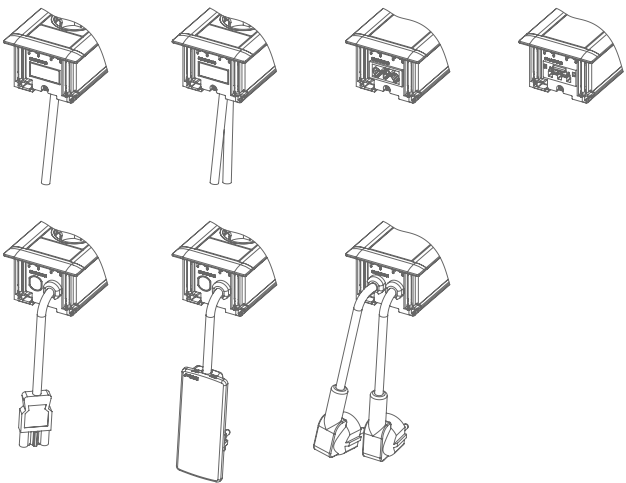


Dimensions in mm

Description	Picture	Specification	Order number
<p>EVoline Dock DESK Aluminium housing, free positioning with provided slide stops. Three sockets, VDE compliant, 0°, 16 A, contact-protected. Fixed supply cable 3.0 m with plug. Power supply cable entry in the left end cap.</p>		<p>silver anodised black anodised</p>	<p>1593 0004 0300 1593 0004 0100</p>
<p>EVoline Dock DESK DATA Aluminium housing, free positioning with provided slide stops. Three sockets, VDE-compliant, 0°, 16 A, contact-protected. Fixed supply cable 3.0 m with plug. Two modular couplings RJ45 to RJ45 CAT6 shielded, 1:1 interconnected. Power supply cable entry in the left end cap.</p>		<p>silver anodised black anodised</p>	<p>1593 0047 8300 1593 0047 8100</p>
<p>EVoline Dock SMALL Aluminium housing. Three sockets, VDE compliant, 0°, 16 A, contact-protected. Fixed supply cable 3.0 m. Power supply cable entry left side in the bottom of the profile.</p>		<p>Incl. one mounting clamp for table tops with 8 - 40 mm thickness</p> <p>silver anodised black anodised white powder-coated (RAL 9010)</p> <p>Without mounting clamp</p> <p>silver anodised black anodised white powder-coated (RAL9010)</p>	<p>1593 0066 6300 1593 0066 6100 1593 0066 6700</p> <p>1593 0003 9300 1593 0003 9100 1593 0003 9700</p>
<p>EVoline Dock DATA SMALL Aluminium housing, three sockets, VDE-compliant, 0°, 16 A, contact-protected. Fixed supply cable 3.0 m with plug. Two modular couplings RJ45 to RJ45 CAT6 shielded, 1:1 interconnected. Power supply cable entry on the left side in the bottom of the profile.</p>		<p>Incl. two mounting clamps for table tops with 8 - 40 mm thickness</p> <p>silver anodised black anodised white powder-coated (RAL 9010)</p> <p>Without mounting clamp</p> <p>silver anodised black anodised white powder-coated (RAL9010)</p>	<p>1593 0066 2300 1593 0066 2100 1593 0066 2700</p> <p>1593 0047 7300 1593 0047 7100 1593 0047 7700</p>

EVOLine® Dock

Description	Picture	Specification	Order number
<p>EVOLine Dock DATA SMALL Aluminium housing, three sockets, VDE-compliant, 0°, 16 A, contact-protected. Fxed supply cable 3.0 m with plug. Two modular couplings RJ45 to RJ45 CAT6 shielded, 1:1 interconnected. Power supply cable entry on the left side in the bottom of the profile.</p>		<p>Fixing system: EVOLine Quick-lock 150 mm + bracket for EVOLine WireLane connection. For table tops with a thickness of 18 - 32 mm.</p> <p>silver anodised black anodised</p>	<p>1593 0389 7300 1593 0389 7100</p>



Become a co-designer and configure your very own EVOLine Dock. Select from various finishes and modules for power, data, multimedia and safety as well as fixings.

Directly to
EVOLine
Configurator.
[www.evoline.com/
konfigurator](http://www.evoline.com/konfigurator)

